



Jeeps® with all body lift kits.



[www.Bestop.com/CloserLook](http://www.Bestop.com/CloserLook)



The tire carrier and tailgate swing out as a single unit.

## BESTOP® OVERSIZE TIRE CARRIER NOW ALSO FITS JEEPS® WITH ALL BODY LIFT KITS.

The Bestop® Oversize Tire Carrier now installs on any Wrangler and Wrangler Unlimited with all aftermarket body lift kits. The new attachment design allows for the body lift spacing, making it possible for more of your customers to utilize this innovative product. The Bestop® Oversize Tire Carrier fits with any aftermarket body lift or suspension lift without sacrificing any of the features and benefits your customers need and want.

- ⊙ Offers the convenience of a tailgate mount with the big tire capacity of a swing-away.
- ⊙ Accommodates a tire up to 35" and 200 lbs.
- ⊙ Carrier and tailgate open and close as single unit.
- ⊙ Adjustable arm eliminates tailgate sag.
- ⊙ Heavy tubular steel protects against corrosion.
- ⊙ Black powder coat paint with wrinkle finish.
- ⊙ Drilling and assembly required.

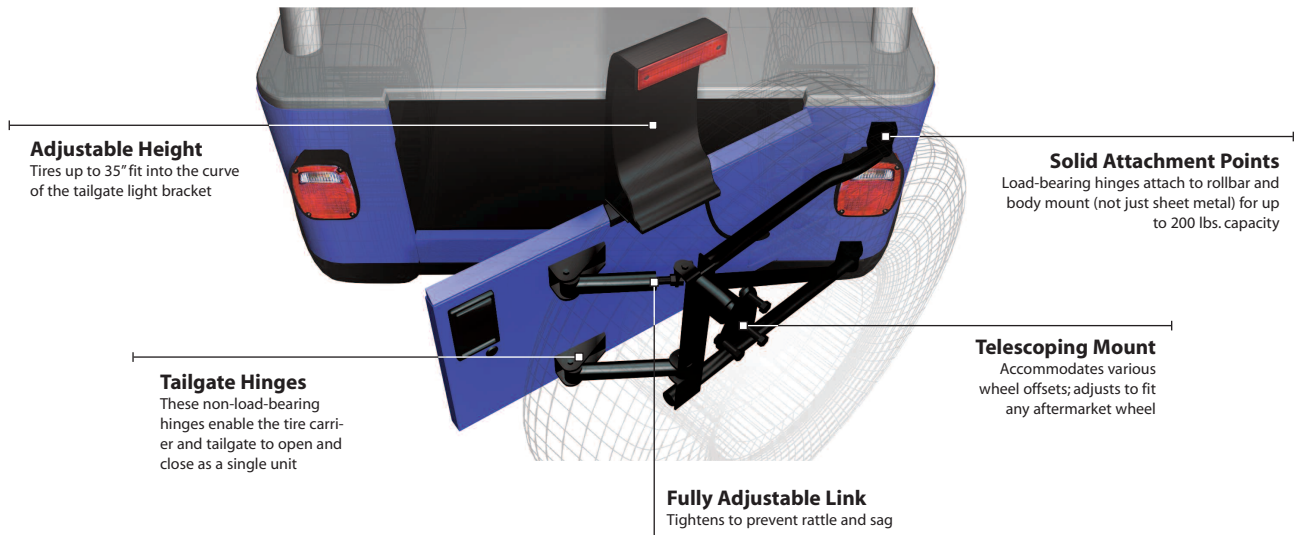


Easy adjustment prevents wobble and "play."



Body-mounted inner brackets strengthen the tire carrier for a solid installation.

APPLICATION	PART #	COLOR CODE
<b>Jeep®</b> Wrangler/Wrangler Unlimited, 86-06 (Fits with suspension and body lifts)	<b>61960</b>	01



**Adjustable Height**  
Tires up to 35" fit into the curve of the tailgate light bracket

**Tailgate Hinges**  
These non-load-bearing hinges enable the tire carrier and tailgate to open and close as a single unit

**Fully Adjustable Link**  
Tightens to prevent rattle and sag

**Solid Attachment Points**  
Load-bearing hinges attach to rollbar and body mount (not just sheet metal) for up to 200 lbs. capacity

**Telescoping Mount**  
Accommodates various wheel offsets; adjusts to fit any aftermarket wheel