

SKYJACKER® PRODUCT FEATURES

SOFRIDE® LEAF SPRINGS Featured in Systems

Softride® By Skyjacker® Softride® springs use only American steel and the individual leaves of each spring are shot-peened with hard steel pellets at very high velocities. This shot-peening compresses the surface of the steel thereby increasing the tensile strength of the spring. Without this shot-peening procedure, the maximum wheel travel and ride quality could not be achieved without sacrificing the life of the spring. Softride® springs use 'bolt' style spring clips, eliminating friction. Other spring designs use the 'cinch' style bend clips which bend tightly over the spring leaves causing binding and friction. Skyjacker® Softride® springs taper over the entire length of the leaf creating more flex at the leaf ends. This tapering distributes loads more evenly over a greater area and reduces the tendency for one leaf to dig into the leaf above it.

Rear Softride® springs are used to complete the 'SYSTEM' in a Skyjacker® suspension lift.



BLOCKS AND U-BOLTS Featured in Kits

Skyjacker® Blocks & U-Bolts Skyjacker® utilizes Blocks and U-Bolts in its Kits to provide rear lift. The Skyjacker® U-Bolts are e-coated for corrosion resistance. These U-Bolts are offered in various shapes and sizes such as square, round, and semi-round in lengths ranging from 1.75" - 19". The Blocks used in Skyjacker® Kits are Ductile iron with fixed center pins. They are also tapered to correct pinion angle and prevent driveline vibrations. Available in 1.25, 2, 3.5, 4.5 & 5 inches.

Rear Block & U-Bolt Kits are usually used to make a 'KIT' in a Skyjacker® suspension lift. But a 'KIT' could also be a combination of Blocks & U-Bolts or Add-a-Leafs.

SKYJACKER® BLOCKS

■ Ductile iron ■ Fixed Center Pin ■ Tapered



ADD-A-LEAFS SPRINGS Featured in Kits

Skyjacker® Add-A-Leafs Skyjacker® offers a diverse selection of front and rear Add-a-Leafs. Skyjacker® Add-A-Leafs insert directly into your factory leaf spring providing lift and added strength. Softride® Add-a-Leafs use only American steel and are shot-peened with hard steel pellets at very high velocities. This shot-peening compresses the surface of the steel thereby increasing the tensile strength of the leaf. Without this shot-peening procedure, the maximum wheel travel and ride quality could not be achieved without sacrificing the life of the leaf. The Skyjacker® Add-a-Leafs are pre-drilled for the center pin. Pin location varies with each application. Most have long tapered ends for a progressive affect and ride comfort.

Rear Add-A-Leafs are sometimes used to make a 'KIT' in a Skyjacker® suspension lift. But it could also be a combination of Blocks & U-Bolts AND Add-a-Leafs.



SKYJACKER® STEERING COMPONENTS

Skyjacker® Steering Components Skyjacker® knows the importance of steering correction after lifting a vehicle and we have an extensive line of steering components to prove it. From drag links to a variety of steering arms, Skyjacker® has the steering components to steer you straight. Check out our complete list of steering components on-line at skyjacker.com to see what Skyjacker® has designed to fit your needs.



REAR BLOCKS & U-BOLT KITS

REAR BLOCKS & U-BOLT KITS					
Make/ Model Year	REAR LIFT HEIGHT				
	1 1/4"	2"	3.5"	4.5"	5.5"
CHEVROLET/GMC					
Colorado/Canyon 2WD/4WD					
04-11	BUK12571				
1/2 & 3/4 Ton 6-Lug Pickup 2WD					
99-06	BUK12562				
1/2 & 3/4 Ton 6-Lug Pickup 4WD					
07-11	BUK12563	BUK2063			
99-06	BUK12563	BUK2063	BUK3564	BUK4565	
88-98	BUK12563	BUK2061		BUK4564	
69-72					
73-87			BUK3588	BUK4589	BUK5589
3/4 Ton 8-Lug Pickup 4WD - 00-04 Fits 2500HD					
2011		BUK2789			
00-10	BUK12581	BUK2082	BUK3584	BUK4584	
88-98		BUK2061		BUK4564	
73-87					BUK5592
1 Ton Pickup 4WD - Except Crew Cab & Dually					
88-98		BUK2082	BUK3584	BUK4584	
73-87		BUK2082	BUK3584	BUK4584	
1 Ton Crew Cab Pickup 4WD - Except Dually					
92-98		BUK2082	BUK3584		
73-91		BUK2082	BUK3584		
Blazer, Jimmy, Tahoe, Yukon 4WD					
92-99	BUK12563	BUK2061		BUK4564	
73-91			BUK3588	BUK4589	BUK5589
69-72		BUK2080			
Suburban 1/2 & 3/4 Ton 6-Lug 4WD					
92-99	BUK12563	BUK2061		BUK4564	
73-91			BUK3588	BUK4589	BUK5589
Suburban 3/4 Ton 8-Lug 4WD					
92-99	BUK12563	BUK2063		BUK4564	
73-87		BUK2091	BUK3592	BUK4592	BUK5592
DODGE					
1/2 Ton Pickup, Ramcharger \ Trailduster					
69-01		BUK2064	BUK3565	BUK4564	
3/4 Ton Pickup 4WD - Except Diesel					
69-93		BUK2064	BUK3565	BUK4564	



FORD					
F-100, F-150 4WD					
97-03		BUK2071	BUK3572	BUK4573	BUK5573

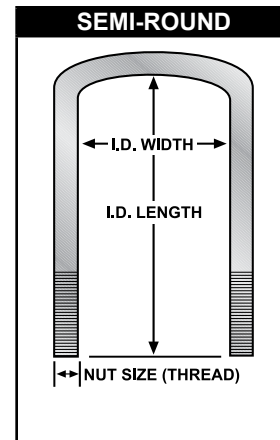
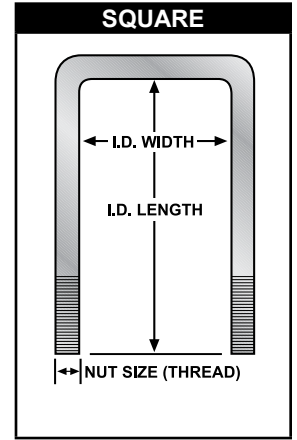
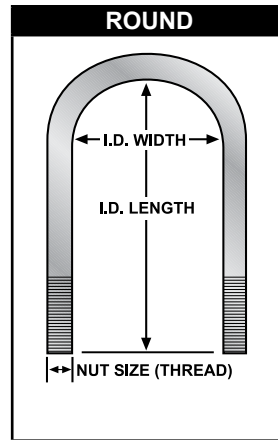
80-96			BUK3572		BUK5574
66-79			BUK3572		BUK5574
F-100, F-150 2WD					
80-96		BUK2071	BUK3572	BUK4573	BUK5573
Bronco					
80-96		BUK2071	BUK3572	BUK4573	BUK5573
78-79		BUK2071	BUK3572	BUK4573	BUK5573
66-77		BUK2071	BUK3572	BUK4573	BUK5573
F-250 4WD with Factory 2" Block					
99-09		BUK2095	BUK3596	BUK4597	BUK5598
F-250 4WD					
80-97		BUK2091	BUK3592	BUK4593	BUK5592
F-250 2WD					
80-97		BUK2090	BUK3591	BUK4592	BUK5593
F-350 4WD with Factory 2" Block (No Overload)					
99-09		BUK2095	BUK3596	BUK4597	BUK5598
F-350 4WD - Except Dually					
83-97		BUK2091	BUK3592	BUK4593	BUK5593
Ranger 4WD					
83-97		BUK2024	BUK3524	BUK4526	BUK5526
Ranger 2WD					
83-97		BUK2033	BUK3524	BUK4526	BUK5526
Bronco II					
84-90		BUK2023	BUK3524	BUK4526	BUK5526
JEEP					
J-10, J20 Pickup, Cherokee \ Wagoneer Full-Size 4WD					
74-90		BUK2071	BUK3572	BUK4573	BUK5573
TOYOTA					
Tundra 2WD/4WD					
07-11	BUK12592				
Pickup 4WD with 2.5" Wide U-Bolt - Except 89-96 Short Bed Standard Cab					
79-96		BUK2068	BUK3563		
Short Bed Standard Cab Pickup 4WD with 3.25" Wide U-Bolt					
89-96					
4Runner 4WD					
79-86		BUK2068	BUK3563		

LIFT BLOCKS, REAR - Pair		
Blocks are High Quality Ductile Iron (NOT Gray Iron), Tapered & Are 1-Piece Construction with Axle Pins Built-In.		
NOTE: Blocks Are Designed for Rear Springs on Top of Rear Axle Applications ONLY.		
Description	LIFT	Part #
Center Pinned, Flat Block	1.25"	RBF2125
Center Pinned, 3 Degree	2"	RB220
Center Pinned, Flat Block	2"	RBF220
Off-Center Pinned, 5 Degree	3.5"	RB235
Off-Center Pinned, Flat Block	4.25"	RBF2425
Off-Center Pinned, 5 Degree	4.5"	RB245
Off-Center Pinned, Flat Block	5"	RBF2250
Center Pinned, Flat Block	5"	RBF250
Off-Center Pinned, 5 Degree	5.5"	RB255

U-BOLTS KIT BREAKDOWN

U-BOLT KIT BREAKDOWN - ALL U-Bolt KITS Include Nuts						
KIT		SINGLE	NUT	I.D.	I.D.	U-Bolt
Part #	Qty.	U-Bolt #	SIZE	WIDTH	LENGTH	SHAPE
UCABF	3	58X318X712	5/8	3-1/8	7-1/2	Round
	1	58X358X914	5/8	3-5/8	9-1/4	Round
UCCF	2	58X318X912	5/8	3-1/8	9-1/2	Round
	1	58X4X10	5/8	4	10	Round
	2	58X314CTB	5/8	Stud	3-1/4	Bolt
UC1ASR	4	58X318X912	5/8	3-1/8	9-1/2	Round
UC1BSR	4	58X338X912	5/8	3-3/8	9-1/2	Round
UC1CSR	4	58X234X1012	5/8	2-3/4	10-1/2	Square
UC125BR	4	58X338X11	5/8	3-3/8	11	Round
UC140AR	4	58X318X11	5/8	3-1/8	11	Round
UC140BR	4	58X338X13	5/8	3-3/8	13	Round
UC140CR	4	58X234X1212	5/8	2-3/4	12-1/2	Square
UC168AR	4	58X318X1212	5/8	3-1/8	12-1/2	Round
UC168BR	4	58X338X1412	5/8	3-3/8	14-1/2	Round
UC168CR	4	58X258X1412	5/8	2-5/8	14-1/2	Square
UDCF	2	916X314X712	9/16	3-1/4	7-1/2	Round
	1	916X4X912	9/16	4	9-1/2	Round
	2	916X3CTB	9/16	Stud	3	Bolt
UDWR	4	916X212X7	9/16	2-1/2	7	Square
UDBR	4	916X212X1012	9/16	2-1/2	10-1/2	Square
UDB2R	4	916X212X1312	9/16	2-1/2	13-1/2	Square
UDBBR	4	916X212X1512	9/16	2-1/2	15-1/2	Square
UDB3R	4	916X212X17	9/16	2-1/2	17	Square
UDB6R	4	58X318X1612	5/8	3-1/8	16-1/2	Square
U3WR	4	12X234X812	1/2	2-3/4	8-1/2	Round
U3B2R	4	12X234X1012	1/2	2-3/4	10-1/2	Round
U3B4R	4	12X338X712	1/2	3-3/8	7-1/2	Round
U4WR	4	12X3X1012	1/2	3	10-1/2	Round
U5WWR	4	916X314X712	9/16	3-1/8	7-1/2	Round
U5WR	4	916X314X912	9/16	3-1/8	9-1/2	Round
U5B2R	4	916X314X1112	9/16	3-1/8	11-1/2	Round
U5B3R	4	916X314X1312	9/16	3-1/8	13-1/2	Round
U5B5R	4	916X314X1512	9/16	3-1/8	15-1/2	Round
U5B7R	4	916X318X1312	9/16	3-1/8	13-1/2	Square
U5B8R	4	916X4X15	9/16	4	15	Round
UFF	4	916X318X912	9/16	3-1/8	9-1/2	Square
U9FF	4	916X318X912	9/16	3-1/8	9-1/2	Semi-Round
U7B1R	4	58X338X11	5/8	3-3/8	11	Round
U7B2R	4	58X338X13	5/8	3-3/8	13	Round
U7B3R	4	58X338X1412	5/8	3-3/8	14-1/2	Round
U7B4R	4	58X338X1612	5/8	3-3/8	16-1/2	Round
U9B5R	4	58X3X1712	5/8	3	17-1/2	Square
U9B6R	4	58X312X12	5/8	3-1/2	12	Round
U9B7R	4	58X312X14	5/8	3-1/2	14	Round
U9B8R	4	58X312X16	5/8	3-1/2	16	Round
U9B9R	4	58X312X18	5/8	3-1/2	18	Round

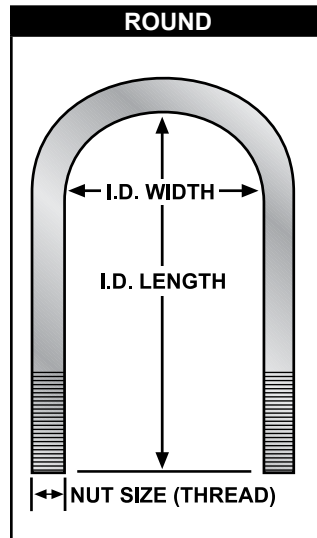
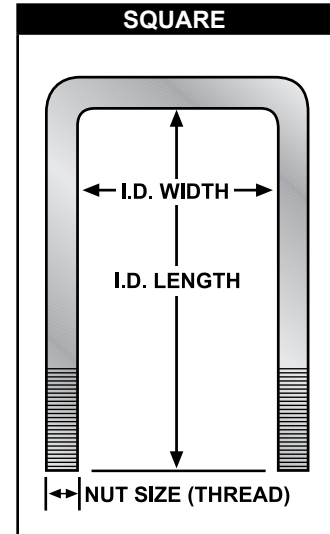
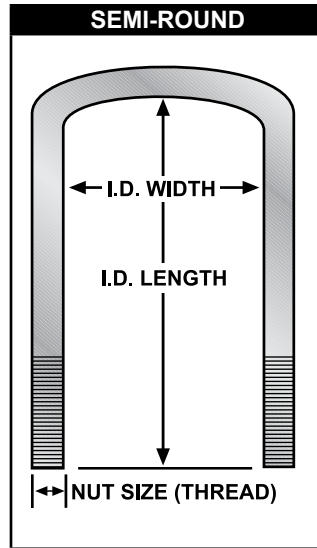
UJPF	2	916X3X712	9/16	3	7-1/2	Round
	2	916X334X814	9/16	3-3/4	8-1/4	Round
UJ3R	4	12X234X6	1/2	2-3/4	6	Round
UJ4R	4	12X212X614	1/2	2-1/2	6-1/4	Round
UTF	4	916X214X812	9/16	2-1/4	8-1/2	Square
UTWR	4	916X212X7	9/16	2-1/2	7	Square
UTBR	4	916X212X1012	9/16	2-1/2	10-1/2	Square



U-BOLTS - SINGLE

U-BOLTS - EACH - Includes Nylon Insert Lock Nuts				
NUT SIZE	I.D. WIDTH	I.D. LENGTH	U-Bolt SHAPE	PART NUMBER
5/16 THREAD SIZE				
5/16	1	1-3/4	ROUND	516X1X134
5/16	1-1/4	1-3/4	ROUND	516X114X134
5/16	1-1/2	2-1/4	ROUND	516X112X214
3/8 THREAD SIZE				
3/8	3-1/8	3-1/2	ROUND	38X318X312
1/2 THREAD SIZE				
1/2	2-1/2	4-1/4	ROUND	12X212X414
1/2	2-1/2	5-1/4	ROUND	12X212X514
1/2	2-1/2	6-1/4	ROUND	12X212X614
1/2	2-3/4	6	ROUND	12X234X6
1/2	2-3/4	8-1/2	ROUND	12X234X812
1/2	2-3/4	9-1/2	ROUND	12X234X912
1/2	2-3/4	10-1/2	ROUND	12X234X1012
1/2	3	10-1/2	ROUND	12X3X1012
1/2	3-1/8	6-1/2	ROUND	12X318X612
1/2	3-1/8	8-1/2	ROUND	12X318X812
1/2	3-3/4	9-1/2	ROUND	12X334X912
9/16 THREAD SIZE				
9/16	2-1/4	8-1/2	SQUARE	916X214X812
9/16	2-1/2	7	SQUARE	916X212X7
9/16	2-1/2	8-3/4	SQUARE	916X212X834
9/16	2-1/2	10-1/2	SQUARE	916X212X1012
9/16	2-1/2	12	SQUARE	916X212X12
9/16	2-1/2	13-1/2	SQUARE	916X212X1312
9/16	2-1/2	15-1/2	SQUARE	916X212X1512
9/16	2-1/2	17	SQUARE	916X212X17
9/16	3	7-1/2	ROUND	916X3X712
9/16	3-1/8	8-1/2	SQUARE	916X318X812
9/16	3-1/8	9-1/2	SQUARE	916X318X912
9/16	3-1/8	9-1/2	SEMI-Round	916X318X912FS
9/16	3-1/8	10-1/2	SEMI-Round	916X318X1012FS
9/16	3-1/8	13-1/2	SQUARE	916X318X1312
9/16	3-1/4	7-1/2	ROUND	916X314X712
9/16	3-1/4	9-1/2	ROUND	916X314X912
9/16	3-1/4	11-1/2	ROUND	916X314X1112
9/16	3-1/4	13-1/2	ROUND	916X314X1312
9/16	3-1/4	15-1/2	ROUND	916X314X1512
9/16	3-3/4	8-1/4	ROUND	916X334X814
9/16	4	9-1/2	ROUND	916X4X912
9/16	3-5/8	8	ROUND	916X358X8
9/16	3-5/8	12-1/2	ROUND	916X358X1212
5/8 THREAD SIZE				
5/8	2-3/4	9	SQUARE	58X234X9
5/8	2-3/4	10-1/2	SQUARE	58X234X1012
5/8	2-3/4	12-1/2	SQUARE	58X234X1212
5/8	2-5/8	14-1/2	SQUARE	58X258X1412
5/8	3	17-1/2	SQUARE	58X3X1712
5/8	3-1/8	7-1/2	ROUND	58X318X712
5/8	3-1/8	9-1/2	ROUND	58X318X912
5/8	3-1/8	11	ROUND	58X318X11
5/8	3-1/8	12-1/2	ROUND	58X318X1212
5/8	3-1/8	16-1/2	SQUARE	58X318X1612
5/8	3-3/8	9-1/2	ROUND	58X338X912
5/8	3-3/8	13	ROUND	58X338X13
5/8	3-3/8	14-1/2	ROUND	58X338X1412
5/8	3-3/8	16-1/2	ROUND	58X338X1612
5/8	3-3/8	19	ROUND	58X338X19
5/8	3-1/2	12	ROUND	58x312x12
5/8	3-1/2	14	ROUND	58x312x14
5/8	3-1/2	16	ROUND	58x312x16

5/8	3-1/2	18	ROUND	58x312x18
5/8	3-5/8	9-1/4	ROUND	58X358X914
5/8	4	10	ROUND	58X4X10



Part # Consists of:
1 U-Bolt AND
2 Nylon Insert Lock Nuts